

Melt Pressure Transducer

Model : VTPP-700 (T)



Description

VTPP-700/ VTPP-700T Series Melt Pressure Transducer(Flexible stem & High accuracy)can measure the pressure and temperature in one point. The model VTPP-700T is with thermocouple. This series adopts special construction and excellent alloy elastic membrane to reduce the thermal draft and improve the accuracy. Zero & full span can be adjustable, amplified signal can be connected with PLC, which is the international standard. It is suitable for pressure measuring and controlling in melt fluid medium, such as the plastic & polymer in the process equipments.



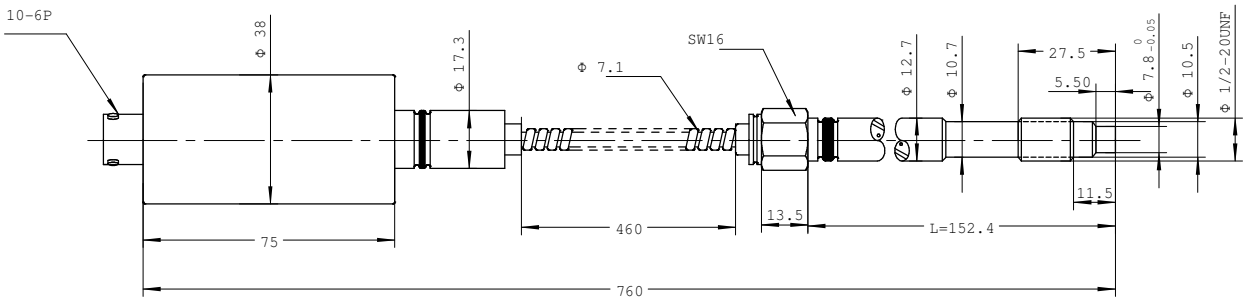
Application

- ◆ Chemical fiber & spinning Equipment
- ◆ Plastic and rubber, polyester process equipment
- ◆ Other pressure measurement and Control

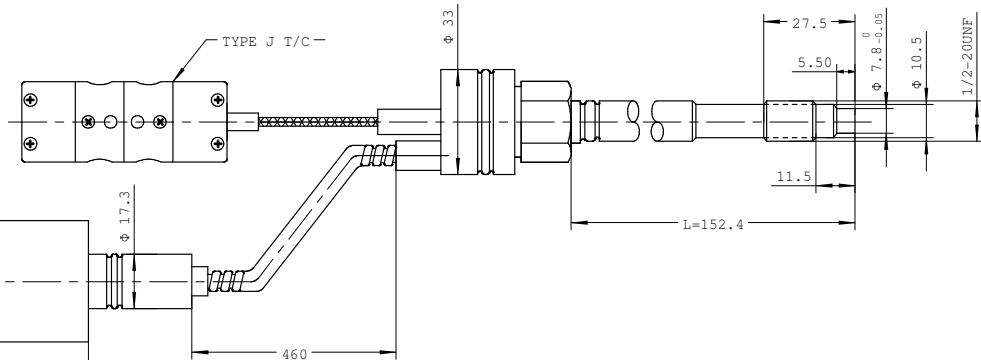
Feature

- ◆ High-standard quality
- ◆ Stainless steel Seal
- ◆ Simple Installation
- ◆ Completely interchange similar import products
- ◆ Internal 80% calibration
- ◆ Excellent stability

Dimension



VTPP-700



VTPP-700T

Melt Pressure Transducer

Model : VTPP-700 (T)



Specification

Range :	0....700 Bar
Output :	4-20mA
Accuracy :	±1,0%FS; ±1%FS
Input voltage :	24Vcc (18~30V) DC
Repetition :	±0.2%
Construction :	Wheatstone bridge
Bridge impedance :	350 ohms±10%
Overload pressure :	2×FSO
Internal calibration :	80%±1%
Insulation Resistance :	1000Megohms @50Vdc
Maximal Diaphragm Temp :	0~400□
Thermocouple :	J (VTPP-700-T)
Electric connection :	5PIN , 6PIN
Process connection :	1/2"-20UNF, M14×1.5, M18×1.5 (Customer design)

Mounting Hole

D1	1/2-20UNF
D2	Φ9
D3	Φ11.5
D4	Φ13.1
A	6
B	9.5

